

E-Box

packaged
laser marking system



- small footprint
- choice of laser - EF Technology or Yb:Fiber
- marks wide range of materials – plastics, metals etc.
- exceptional reliability
- air cooled
- single phase power
- user friendly Windows™ software for optimum marking performance



E-Box

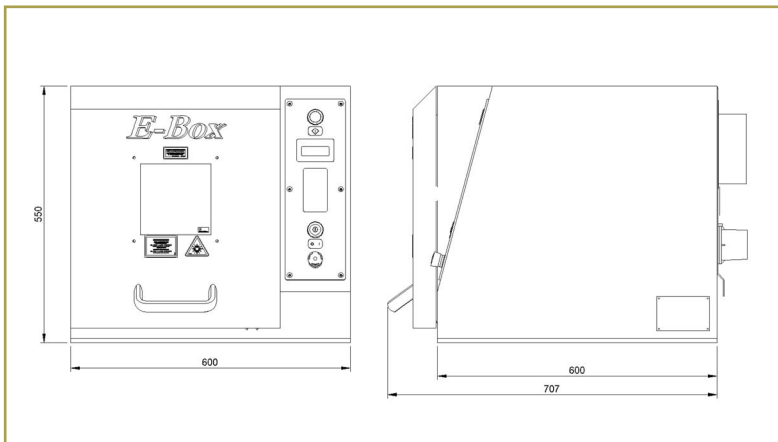
packaged laser marking system

marking area parameters

flat field lens focal length	maximum square marking field	maximum marking diameter	working distance
163 mm	100 mm	140 mm	184 mm

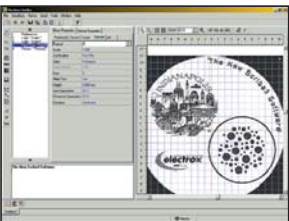
dimensions

	Height (ins) (mm)	Length (ins) (mm)	Width (ins) (mm)	Weight (lbs) (kg)
Laser Enclosure	22 550	24 600	28 707	143 65
Control Unit	21 535	11 267	22 552	71 32



software

Electrox laser marking software has been developed in conjunction with E-Box to ensure optimum marking performance.



- Fast file transfer to the laser
- File import formats: PLT (HPGL), AI, DXF, PNL (Electrox), BMP, TIFF
- Bar Codes
- Two Dimensional Codes including Data Matrix
- Automatic Serialization
- File Input Programming (Mail Merge)
- Date Coding
- Fill Editor
- Motion Control (4 Axis)
- Multiple I/O Interface

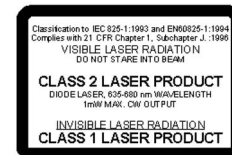
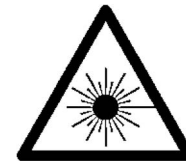
Electrox Razor, Scorpion, Raptor, Scorpion Rapide, E-Box, MaxBox, EF Technology, Scriba and Cobra are registered trademarks of 600 UK Limited. Electrox has a policy of continuous product development and improvement and reserves the right to modify designs and specifications without notice.

laser specification

Laser type – EF Technology or Yb:Fiber
Wavelength – 1060 -1080nm
Pulse frequency – CW, 0.1 – 100kHz
Max marking speed – 10,000mm.s⁻¹
Operating temperature – 15°C - 40°C non condensing
Construction – Welded Steel with lift up door
Laser safe viewing window
Variable height component table for focusing
Fume extraction port
Max pulse energy – 1mJ
Max peak power – 12kW
Pulse duration – 25ns - 220ns
Min. spot size – <25µm
Control electronics – 19 inch rack mounted (5U) module

utilities

input voltage single phase + Earth, 50 or 60 Hz;
100 - 240 V
power requirement 500 W



USA Office

5601 Fortune Circle, South Drive, Suite A,
Indianapolis, IN 46241, USA.
Tel: +1 317 248 2632 Fax: +1 317 240 5787
e-mail: sales.us@electrox.com

UK Office

Avenue One, The Business Park,
Letchworth Garden City, Hertfordshire, SG6 2HB, UK.
Tel: +44 (0)1462 472400 Fax: +44 (0)1462 472444
e-mail: sales.uk@electrox.com

Asia Pacific Office

Level 27, Prudential Tower, 30 Cecil Street
Singapore 049712
Tel: (65) 6725 6223 Fax: (65) 6725 6224