

# MaxBox

packaged  
laser marking system



- small footprint
- choice of laser - EF Technology or Yb:Fiber
- marks wide range of materials – plastics, metals etc.
- exceptional reliability
- air cooled
- single phase power
- user friendly Windows™ software for optimum marking performance



# MaxBox

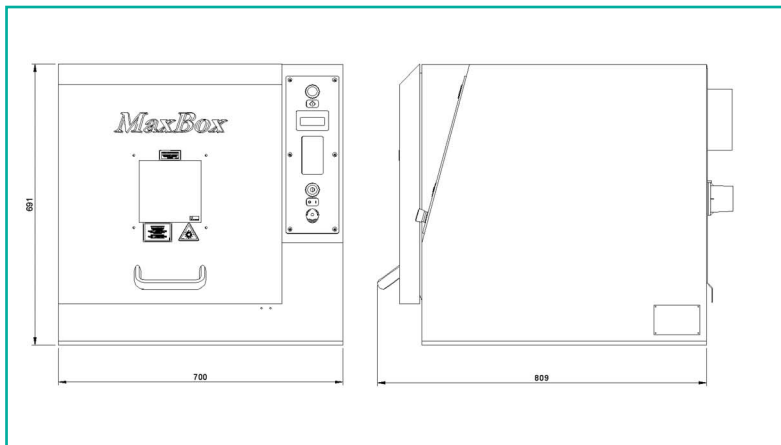
## packaged laser marking system

### marking area parameters

flat field lens focal length	maximum square marking field	maximum marking diameter	working distance
163 mm	100 mm	140 mm	184 mm
254 mm	160 mm	220 mm	323 mm

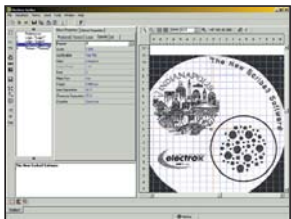
### dimensions

	Height (ins) (mm)	Length (ins) (mm)	Width (ins) (mm)	Weight (lbs) (kg)
Laser Enclosure	27 691	28 700	32 809	170 77
Control Unit	218 535	11 267	22 552	71 32



### software

Electrox laser marking software has been developed in conjunction with MaxBox to ensure optimum marking performance.



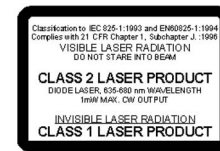
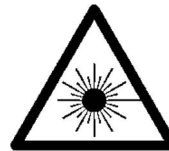
- Fast file transfer to the laser
- File import formats: PLT (HPGL), AI, DXF, PNL (Electrox), BMP, TIFF
- Bar Codes
- Two Dimensional Codes including Data Matrix
- Automatic Serialization
- File Input Programming (Mail Merge)
- Date Coding
- Fill Editor
- Motion Control (4 Axis)
- Multiple I/O Interface

### laser specification

**Laser type** – EF Technology or Yb:Fiber  
**Wavelength** – 1060 -1080nm  
**Pulse frequency** – CW, 0.1 – 100kHz  
**Max marking speed** – 10,000mm.s<sup>-1</sup>  
**Operating temperature** – 15°C - 40°C non condensing  
**Construction** – Welded Steel with lift up door  
**Laser safe viewing window**  
**Powered Z axis**  
**Programmable Z axis option**  
**Fume extraction port**  
**Max pulse energy** – 1mJ  
**Max peak power** – 12kW  
**Pulse duration** – 25ns or 220ns  
**Min. spot size** – <25µm  
**Control electronics** – 19 inch rack mounted (5U) module

### utilities

input voltage single phase + Earth, 50 or 60 Hz;  
100 - 240 V  
power requirement 500 W



#### USA Office

5601 Fortune Circle, South Drive, Suite A,  
Indianapolis, IN 46241, USA.  
Tel: +1 317 248 2632 Fax: +1 317 240 5787  
e-mail: sales.us@electrox.com

#### UK Office

Avenue One, The Business Park,  
Letchworth Garden City, Hertfordshire, SG6 2HB, UK.  
Tel: +44 (0)1462 472400 Fax: +44 (0)1462 472444  
e-mail: sales.uk@electrox.com

#### Asia Pacific Office

Level 27, Prudential Tower, 30 Cecil Street  
Singapore 049712  
Tel: (65) 6725 6223 Fax: (65) 6725 6224