

# Razor

CO<sub>2</sub> laser marking systems



- wide range of materials - glass, wood, plastics, fabrics
- ideal for transparent and translucent plastics
- exceptional reliability  
(life of laser source typically 20,000 hours)
- virtually no consumables
- air cooled
- single phase power
- user friendly Windows™ software for optimum marking performance
- available as modules for production line integration or with choice of workstation for turnkey solution



# Razor

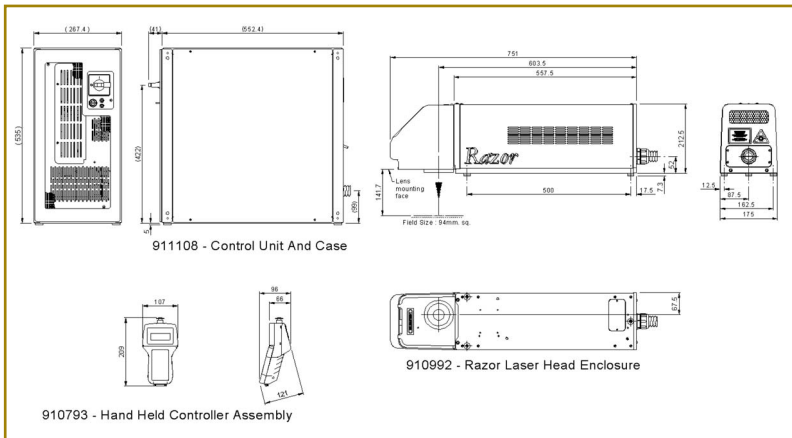
## CO<sub>2</sub> laser marking systems

### marking area parameters

flat field lens focal length	maximum square marking field	maximum marking diameter	working distance
100 mm	60 mm	85 mm	79 mm
150 mm	94 mm	130 mm	128 mm
250 mm	154 mm	218 mm	236 mm

### dimensions

	Height (ins) (mm)	Length (ins) (mm)	Width (ins) (mm)	Weight (lbs) (kg)
Laser Enclosure	8 213	30 751	7 175	40 18
Control Unit	21 535	11 267	22 552	71 32

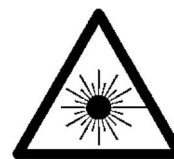


### laser specification

- Laser Type** – CO<sub>2</sub>
- Wavelength** – 10.6µm
- Operational mode** – modulated CW
- Max. modulation frequency** – 20kHz
- Max marking speed** – 5,000mm.s<sup>-1</sup>
- Operating temperature** – up to 40°C non condensing
- Construction** – dust sealed with galvo delivery
- Max laser average power** – 30W
- Power stability** – ±5% Max
- Min. spot size** – <100µm (100mm lens)
- Beam quality** – 16mm.mrad (M<sup>2</sup> = 1.2 max)
- Control electronics** – 19 inch rack mounted (5U) module

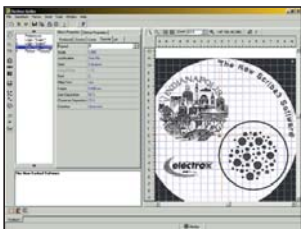
### utilities

- input voltage** single phase + Earth, 50 or 60 Hz; 110, 180, 208, 220, 240
- power requirement** 1.5 kW



### software

Electrox laser marking software has been developed in conjunction with Razor to ensure optimum marking performance.



- Fast file transfer to the laser
- File import formats: PLT (HPGL), AI, DXF, PNL (Electrox), BMP, TIFF
- Bar Codes
- Two Dimensional Codes including Data Matrix
- Automatic Serialization
- File Input Programming (Mail Merge)
- Date Coding
- Fill Editor
- Motion Control (4 Axis)
- Multiple I/O Interface

Electrox Razor, Scorpion, Raptor, Scorpion Rapide, E-Box, MaxBox, EF Technology, Scriba and Cobra are registered trademarks of 600 UK Limited. Electrox has a policy of continuous product development and improvement and reserves the right to modify designs and specifications without notice.



#### USA Office

5601 Fortune Circle, South Drive, Suite A,  
Indianapolis, IN 46241, USA.  
Tel: +1 317 248 2632 Fax: +1 317 240 5787  
e-mail: sales.us@electrox.com

#### UK Office

Avenue One, The Business Park,  
Letchworth Garden City, Hertfordshire, SG6 2HB, UK.  
Tel: +44 (0)1462 472400 Fax: +44 (0)1462 472444  
e-mail: sales.uk@electrox.com

#### Asia Pacific Office

Level 27, Prudential Tower, 30 Cecil Street  
Singapore 049712  
Tel: (65) 6725 6223 Fax: (65) 6725 6224